

3-Lug Single Disk Drive Hub Replacement Kit



NOTE: The die-cast aluminum drive hub is discontinued and replaced by this new improved drive hub kit. The new injection molded hub features an aluminum shaft insert that provides 2x the strength over the die-cast aluminum hub, plus reduces chatter between lug and hub. The new hub also provides easy install and removal without the use of the stop pin.

INSTALLATION INSTRUCTIONS:

Installation Time: .5 Hours

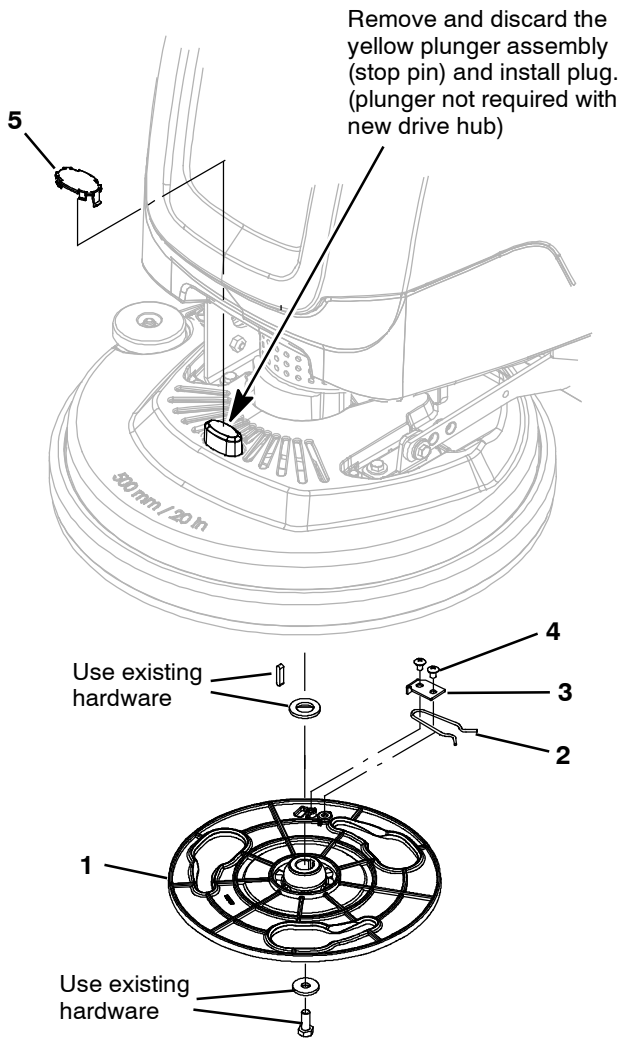
Tools Required: 13 mm socket wrench, .75 in wrench and 21 mm wrench

FOR SAFETY: Before servicing machine, stop on level surface, turn off machine and remove key.

9014623 Kit Contents

Item	Part No.	Description	Qty.
1	1219855	Hub, Drive, 3-Lug, Alm-Nyl, 17mm	1
2	1013188	Clip, Spring, Drive Hub, Release	1
3	1011201	Plate, Drive Hub, Release Clip	1
4	140197	Screw, Trs, Phl, 10-24x0.38, Sems,ss	2
5	1221972	Plug, Hole, Head, Hsng, Abs [T300e/SS300]	1
6	02431	Plug, Hole, Head Hsng, Blk Nyl [T2/T3/SS3]	1

T300e/SS300 Models



T2/T3/SS3 Models

